



DESCRIPTION

In an illusion of suspension, Doma Wall's Murano glass bell, supported by its metal arm, embraces the half sphere that houses its light source. With its indirect light, Doma Wall creates intimate atmospheres, with colorful reflections, enhancing the details of surfaces of indoor and outdoor spaces. The Doma collection is also available in floor, suspension and table versions, in different finishes.

PRODUCTS DETAILS

<b>FUNCTION</b>	WALL
<b>LOCATION</b>	INTERIOR
<b>LIGHT EMISSION</b>	DOWNLIGHT
<b>LIGHT SOURCE</b>	1 × 7W 350mA 1120lm 2700°K CRI >80
<b>ENERGY EFFICIENCY</b>	D
<b>RATED VOLTAGE</b>	110-120V / 220-240V
<b>FREQUENCY</b>	50 - 60Hz
<b>SUPPLY</b>	TERMINAL BLOCK
<b>BALLAST</b>	BALLAST INCLUDED

DALI or TRIAC dimming kit available upon request

CERTIFICATION



MATERIALS

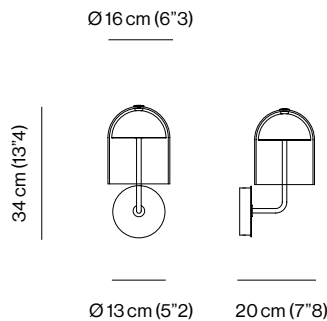
STRUCTURE

<b>M11</b>	LIGHT BURNISHED BRASS
<b>M12</b>	DARK BURNISHED BRASS

GLASS

<b>P</b>	ANTIQUÉ PINK
<b>BL</b>	BLUE
<b>V</b>	GREEN
<b>G</b>	SMOKE GREY

DIMENSIONS



DESCRIPTION

In an illusion of suspension, Doma Wall's Murano glass bell, supported by its metal arm, embraces the half sphere that houses its light source. With its indirect light, Doma Wall creates intimate atmospheres, with colorful reflections, enhancing the details of surfaces of indoor and outdoor spaces. The Doma collection is also available in floor, suspension and table versions, in different finishes.

PRODUCTS DETAILS

<b>FUNCTION</b>	WALL
<b>LOCATION</b>	EXTERIOR
<b>LIGHT EMISSION</b>	DOWNLIGHT
<b>LIGHT SOURCE</b>	1 × 7W 350mA 1120lm 2700°K CRI >80
<b>ENERGY EFFICIENCY</b>	D
<b>RATED VOLTAGE</b>	110-120V / 220-240V
<b>FREQUENCY</b>	50 - 60Hz
<b>SUPPLY</b>	TERMINAL BLOCK
<b>BALLAST</b>	BALLAST INCLUDED

DALI or TRIAC dimming kit available upon request

CERTIFICATION



MATERIALS

STRUCTURE

<b>M11</b>	LIGHT BURNISHED BRASS
<b>M12</b>	DARK BURNISHED BRASS

GLASS

<b>P</b>	ANTIQUE PINK
<b>BL</b>	BLUE
<b>V</b>	GREEN
<b>G</b>	SMOKE GREY

DIMENSIONS

