



GINEICO

by 6366 DownTown



Wall lamps for direct non-glare lighting. Metal frame with laser-cut details. All versions have the inside of the diffuser painted white to improve light reflection. The white version has a red cotton covered power cable, the black version has a white cotton covered power cable. Screen made of opal polycarbonate, specifically for Led, which combines maximum brightness with the ability to avoid the spot effect of Led. Equipped with SMD Led circuit with high color rendering index (CRI90) and high-energy efficiency. Laser-cut metal dissipating plate. Built-in electronic ballast. All the electronic ballasts are equipped with thermal and short-circuit protection, against overvoltage and overloading

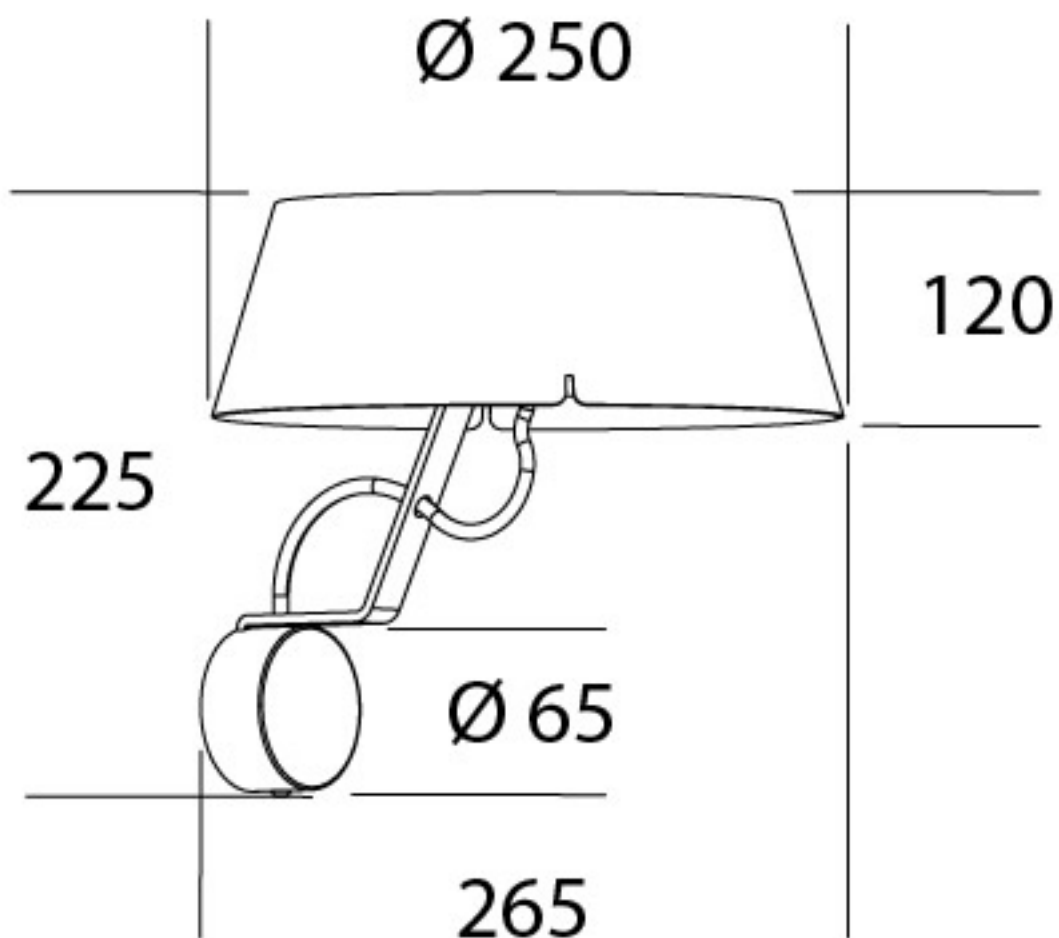
SYDNEY - MELBOURNE - GOLD COAST - PERTH - AUCKLAND
G45, 76-84 WATERWAY DRIVE COOMERA, QLD, 4209, AUSTRALIA
Phone: +61 417 950 455

Email: showroom@gineico.com
WWW.GINEICOLIGHTING.COM.AU



ASIA
by 6366 DownTown


GINEICO



SYDNEY - MELBOURNE - GOLD COAST - PERTH - AUCKLAND
G45, 76-84 WATERWAY DRIVE COOMERA, QLD, 4209, AUSTRALIA
Phone: +61 417 950 455

Email: showroom@gineico.com
WWW.GINEICOLIGHTING.COM.AU

