



# GINEICO



Suspension lamp for direct non-glare lighting. Bent metal structure with laser-cut details. Painted metal top cover matching the color of the structure. Power cable covered in white PVC. All versions have the inside of the diffuser painted white to improve light reflection. Screen made of opal polycarbonate, specifically for Led, which combines maximum brightness with the ability to avoid the spot effect of Led. Equipped with SMD Led circuit with high color rendering index (CRI90) and high-energy efficiency. Laser-cut aluminium dissipating plate. Electronic ballast incorporated in the top cover. DM version equipped with dimmable ballast with DALI/PUSH interface. All electronic ballasts are equipped with thermal and short-circuit protection against overloading and overvoltage

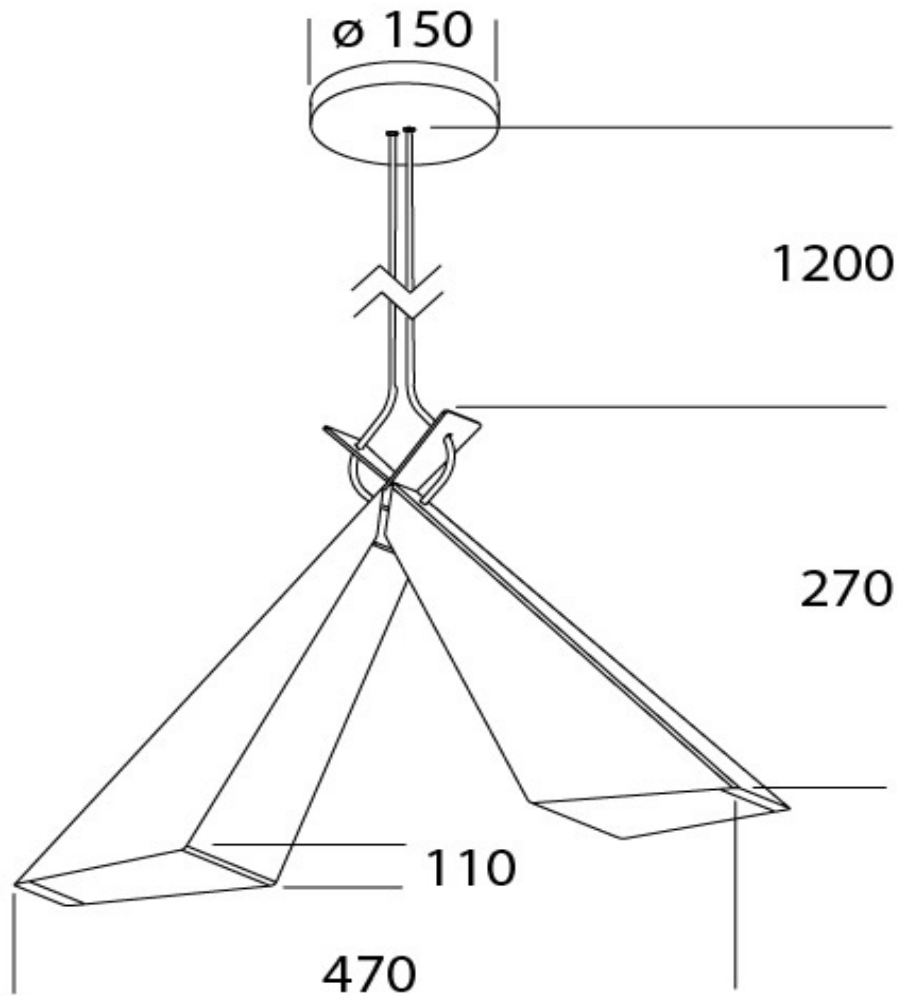
SYDNEY - MELBOURNE - GOLD COAST - PERTH - AUCKLAND  
G45, 76-84 WATERWAY DRIVE COOMERA, QLD, 4209, AUSTRALIA  
Phone: +61 417 950 455

Email: [showroom@gineico.com](mailto:showroom@gineico.com)  
[WWW.GINEICOLIGHTING.COM.AU](http://WWW.GINEICOLIGHTING.COM.AU)





# GINEICO



SYDNEY - MELBOURNE - GOLD COAST - PERTH - AUCKLAND  
G45, 76-84 WATERWAY DRIVE COOMERA, QLD, 4209, AUSTRALIA  
Phone: +61 417 950 455

Email: [showroom@gineico.com](mailto:showroom@gineico.com)  
[WWW.GINEICOLIGHTING.COM.AU](http://WWW.GINEICOLIGHTING.COM.AU)

