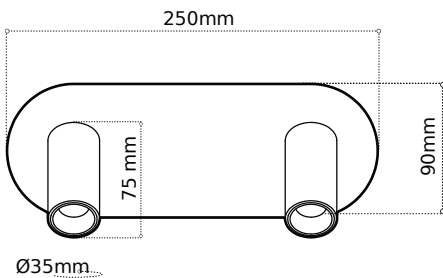


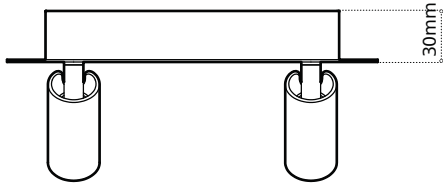


Scheda tecnica | Data sheet ROCCHETTO DUO M

Adjustable indoor headlight suitable for wall or ceiling mounting, made of a base flat (for plasterboard) or off surface (for brickwork) and two spotlight in aluminium, in three supply currents with remote driver. Specific cooling fans design enables pushing high power/current in an extremely compact product. Each spotlight can rotate around two axes, allowing wide range in aiming. Five photometric distributions per spotlight are available.



Ø35mm



Caratteristiche generali | General specifications

tipo di installazione | mounting type
materiali | materials
finiture | finishes

dimensioni | overall dimensions

peso | weight
grado di protezione IP | IP rating
note sul prodotto | product notes

a parete/soffitto | wall/ceiling mounting
alluminio | aluminum
bianco opaco RAL 9010, nero opaco RAL 9005, oro, extra mirror, custom
white RAL 9010, matt black RAL 9005, gold, extra mirror, custom
Ø35x75mm (faretti), 250x90mm piastra | Ø35x75mm (headlights), 250x90mm (base)
-
IP40
-

Caratteristiche elettriche | Electrical specifications

gruppo di alimentazione | power supply unit

alimentazione | power supply

tensione operativa LED | LED operating voltage
dimmerazione | dimming
classe di isolamento | insulation class

integrato multicorrente regolabile | integrated multicurrent settable
220Vac | 220Vac

11,2Vdc
dali - push - 0.10 - 1.10
III

Sorgente luminosa | Light source

© 4000K, T_a = 25°, T_J = 25°

lampada | lamp
temperatura di colore | colour temperature
indice di resa cromatica | colour rendering index
vita media | average life
consistenza cromatica | colour consistency

LED ad alta potenza | high power LED
2700 - 3000 - 4000K
≥90
50000h L80 B10
2 SDCM

I (mA)	Ø (lm)	P (W)	light efficiency (lm/W)
350	926	2x4	116
500	1254	2x6	105
700	1640	2x9	91



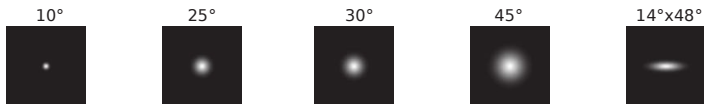
Gruppo ottico *Optical group*

schermo di chiusura *lamp screen*
lente | *lens*

PMMA trasparente *transparent PMMA*
polycarbonato trasparente *transparent polycarbonate*

Dati fotometrici *Photometric data*

apertura del fascio luminoso *beam angle*



Accessori *Accessories*

nido d'ape | *honey comb*

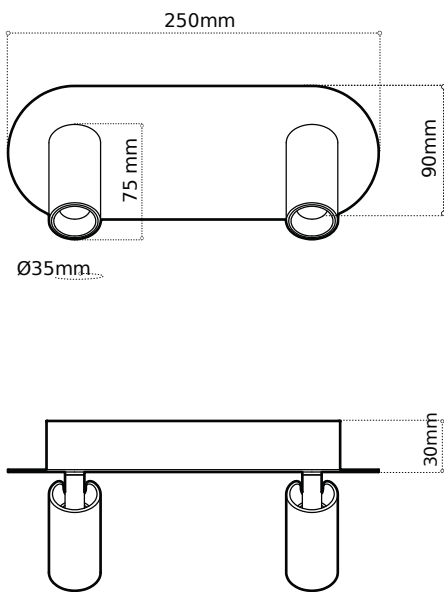
Marchi e certificazioni *Labels and certificates*



Scheda tecnica | Data sheet
ROCCHETTO DUO M



Adjustable indoor headlight suitable for wall or ceiling mounting, made of a base flat (for plasterboard) or off surface (for brickwork) and two spotlight in aluminium, in three supply currents with remote driver. Specific cooling fans design enables pushing high power/current in an extremely compact product. Each spotlight can rotate around two axes, allowing wide range in aiming. Five photometric distributions per spotlight are available.



Caratteristiche generali | General specifications

tipo di installazione mounting type	a parete/soffitto wall/ceiling mounting
materiali materials	alluminio aluminum
finiture finishes	bianco opaco RAL 9010, nero opaco RAL 9005, oro, extra mirror, custom matt white RAL 9010, matt black RAL 9005, gold, extra mirror, custom
dimensioni overall dimensions	Ø35x75mm (faretti), 250x90mm piastra Ø35x75mm (headlights), 250x90mm (base)
peso weight	-
grado di protezione IP IP rating	IP40
note sul prodotto product notes	-

Caratteristiche elettriche | Electrical specifications

gruppo di alimentazione power supply unit	remoto remote
alimentazione power supply	corrente costante, 50/60Hz constant current, 50/60Hz
tensione operativa LED LED operating voltage	11,2Vdc
dimmerazione dimming	-
classe di isolamento insulation class	III

Sorgente luminosa | Light source

© 4000K, Ta = 25°, Tj = 25°

lampada lamp	LED ad alta potenza high power LED
temperatura di colore colour temperature	2700 - 3000 - 4000K
indice di resa cromatica colour rendering index	≥90
vita media average life	50000h L80 B10
consistenza cromatica colour consistency	2 SDCM

I (mA)	Ø (lm)	P (W)	light efficiency (lm/W)
350	926	2x4	116
500	1254	2x6	105
700	1640	2x9	91



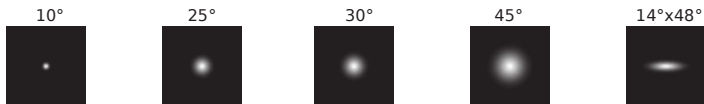
Gruppo ottico *Optical group*

schermo di chiusura *lamp screen*
lente | *lens*

PMMA trasparente *transparent PMMA*
policarbonato trasparente *transparent polycarbonate*

Dati fotometrici *Photometric data*

apertura del fascio luminoso *beam angle*



Accessori *Accessories*

alimentatore in CC 350mA 10W *350mA 10W driver*
alimentatore in CC 500mA 10W *500mA 10W driver*
alimentatore in CC 700mA 10W *700mA 10W driver*
alimentatore in CC 20W multicorrente dimmerabile *20W dimmable CC multi-current driver*
nido d'ape | *honey comb*

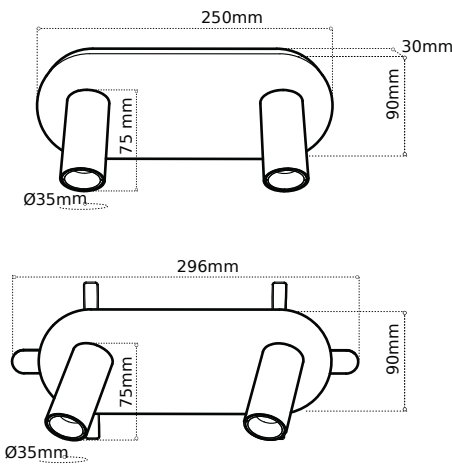
Marchi e certificazioni *Labels and certificates*



ROCCHETTO DUO M / ROCCHETTO DUO



Adjustable indoor headlight suitable for wall or ceiling mounting, made of a base flat (for plasterboard) or off surface (for brickwork) and two spotlight in aluminium, in three supply currents with remote driver. Specific cooling fans design enables pushing high power/current in an extremely compact product. Each spotlight can rotate around two axes, allowing wide range in aiming. Five photometric distributions per spotlight are available.



Caratteristiche generali | General specifications

tipo di installazione | mounting type
materiali | materials
finiture | finishes

a parete/soffitto | wall/ceiling mounting
alluminio | aluminum
bianco opaco RAL 9010, nero opaco RAL 9005, oro, extra mirror, custom
bianco opaco RAL 9010, nero opaco RAL 9005, oro, extra mirror, custom
Ø35x75mm (faretti), 250x90mm piastra
Ø35x75mm (headlights), 250x90mm (base)

dimensioni | overall dimensions

peso | weight
grado di protezione IP | IP rating
note sul prodotto | product notes

-

IP40

-

Caratteristiche elettriche | Electrical specifications

gruppo di alimentazione | power supply unit
alimentazione | power supply

remoto | remote
corrente costante, 50/60Hz | constant current, 50/60Hz

tensione operativa LED | LED operating voltage
dimmerazione | dimming
classe di isolamento | insulation class

11,2Vdc
su richiesta | on demand
III

Sorgente luminosa | Light source

@ 4000K, Ta = 25°, Tj = 25°

lampada | lamp
temperatura di colore | colour temperature
indice di resa cromatica | colour rendering index
vita media | average life
consistenza cromatica | colour consistency

LED ad alta potenza | high power LED
2700 - 3000 - 4000K
≥90
50000h L80 B10
2 SDCM

I (mA)	Ø (lm)	P (W)	light efficiency (lm/W)
350	926	2x4	116
500	1254	2x6	105
700	1640	2x9	91

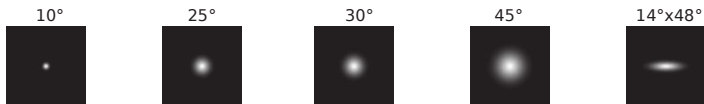
Gruppo ottico *Optical group*

schermo di chiusura *lamp screen*
lente | *lens*

PMMA trasparente *transparent PMMA*
policarbonato trasparente *transparent polycarbonate*

Dati fotometrici *Photometric data*

apertura del fascio luminoso *beam angle*



Accessori *Accessories*

alimentatore in CC 350mA 10W *350mA 10W driver*
alimentatore in CC 500mA 10W *500mA 10W driver*
alimentatore in CC 700mA 10W *700mA 10W driver*
alimentatore in CC 20W multicorrente dimmerabile *20W dimmable CC multi-current driver*
nido d'ape | *honey comb*

Marchi e certificazioni *Labels and certificates*

