

## FRANCESCO LIBRIZZI

Architect, born in 1977, in 2005 he founded the Francesco Librizzi Studio in Milan, a design atelier that develops projects in architecture, interiors, design and temporary installations. Through simple structures drawn in the void, his works allow the essential features of space to emerge.

He has received prestigious awards such as the Prix Émile Hermès (2008), the Honorable Mention Compasso d'Oro (2014), "The AZ Awards 2015 Best Residential Interior", "Archmarathon Award 2015 "Private houses", the "German Design Award 2018 Best Exhibition Design".

Since 2008, Francesco Librizzi has been teaching Interior and Exhibition Design at several universities and design academies. Among them, the Faculty of Architecture of Palermo, the Faculty of Architecture of Genoa, Domus Academy (Milan), NABA Nuova Accademia di Belle Arti (Milan).

In 2016, the meeting with FontanaArte created the opportunity to bring all the research carried out by the Studio into product design. The result is the Setareh family of lamps. Today his relationship with FontanaArte continues in the role of Art Director.



## ALICANTO

Designed by Francesco Librizzi

Its name comes from Chilean mythology, Alicanto, a nocturnal bird that is said to live in the Atacama Desert and has the peculiarity of feeding exclusively on gold and silver. According to the fable, its feeding makes it unable to fly but makes its wings glow with golden reflections. The miners, seeing its light in the dark, would follow it and thus find gold.

It was therefore the image of this bird capable of lighting up the night, about to take flight but firmly set on the ground, that suggested the inspiration when it came to finding a name for a new lamp characterized by a slight forward imbalance: its arched shape is all projected to carry the light, almost as if to "extend" it, as far as possible.



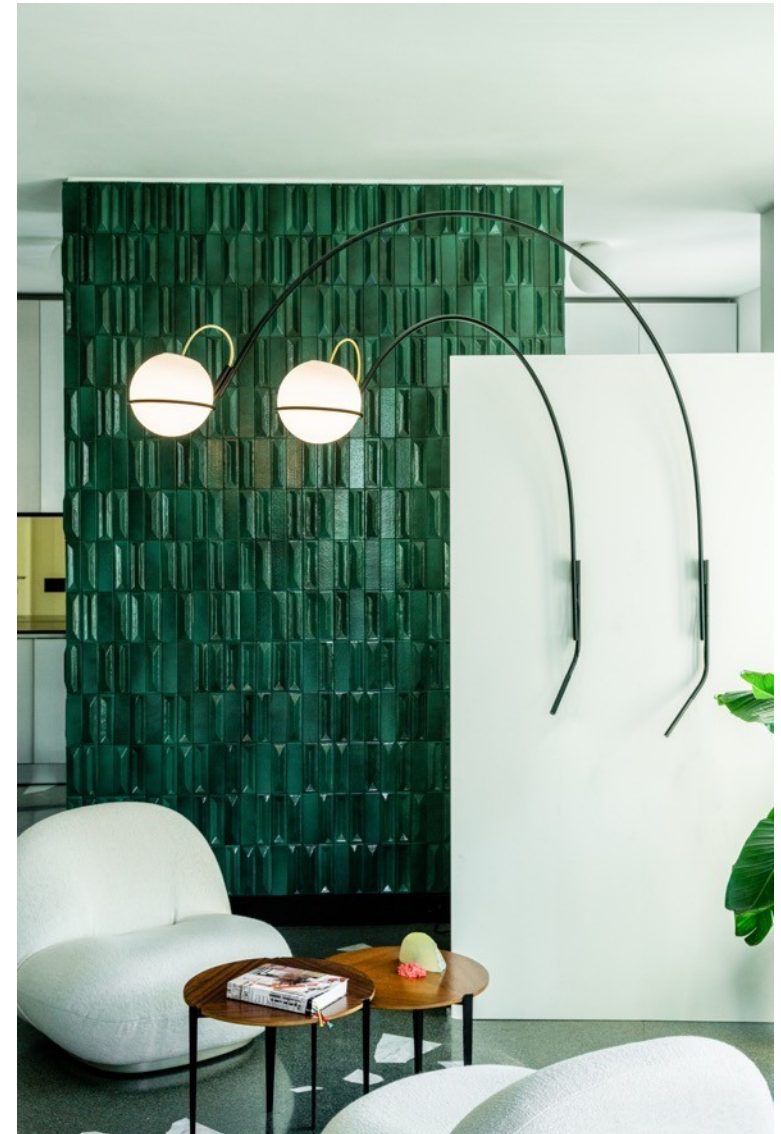
## ALICANTO

Designed by Francesco Librizzi

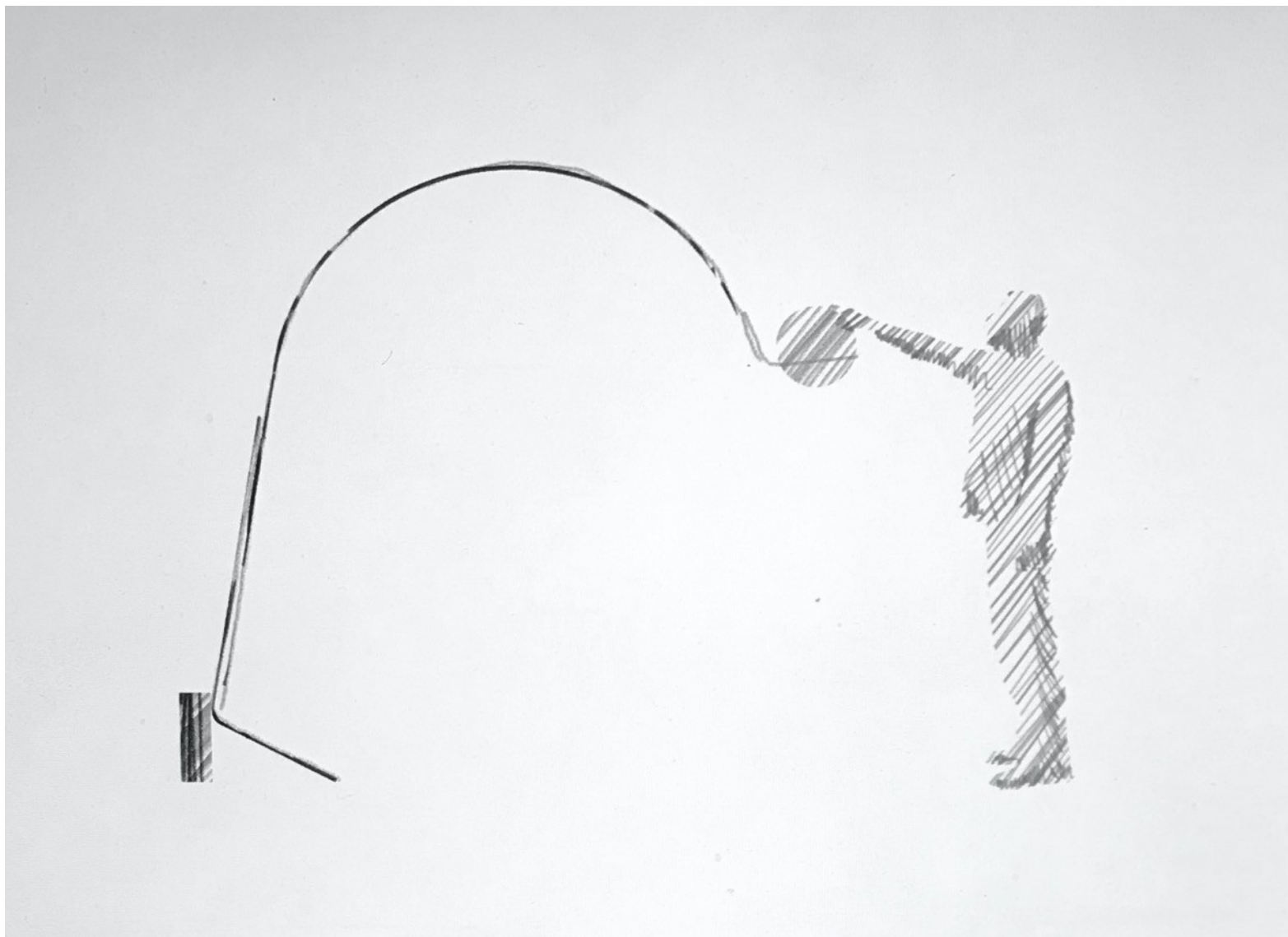
An elegant and sophisticated fitting, Alicanto is a contemporary lamp, solid and light, with an innovative design that is capable of adapting to cutting edge furnishings without departing from the FontanaArte philosophy, in balance between art and industry, suspended between clarity and durability.

Alicanto is a floor and wall lamp; the latter version is available in two sizes.

The product can also be supplied Casambi / Dali ready.







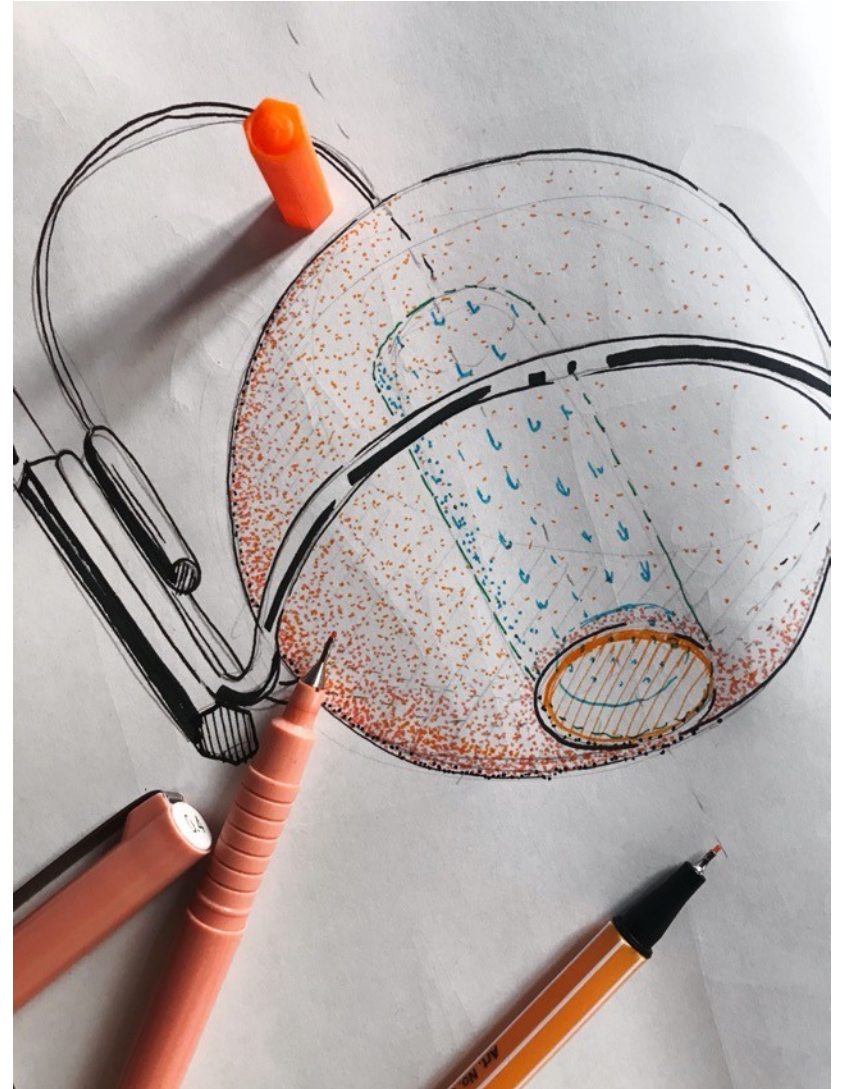
Sketch Francesco Librizzi

## TECHNICAL INFORMATION

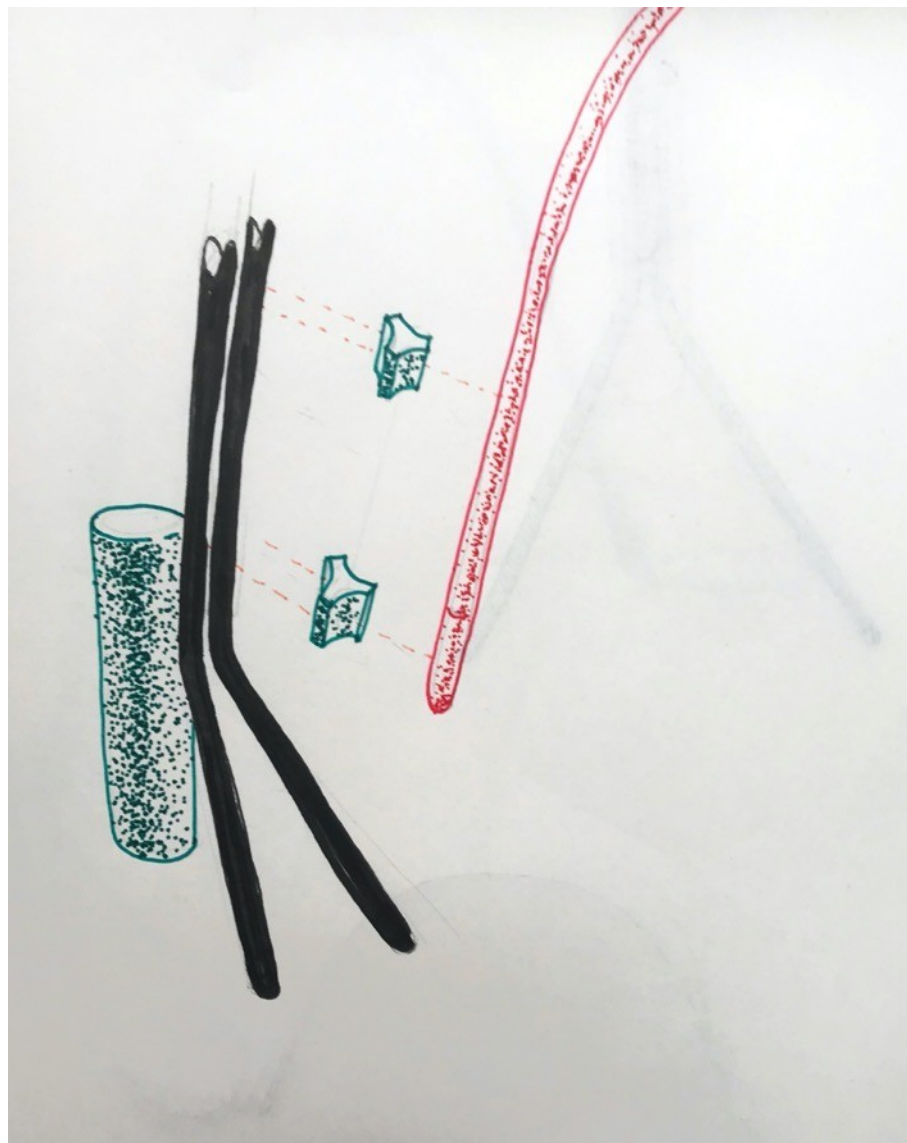
Alicanto is a family of lamps, available in floor and wall versions, with dimmable direct and diffused light.

Base and stem are made of painted metal. The diffuser is made of hand-blown etched glass.

Black power cable, plug and dimmer. Plug-in driver with changeable plugs.  
Integrated LED modules.



Sketch Francesco Librizzi



Sketch Francesco Librizzi



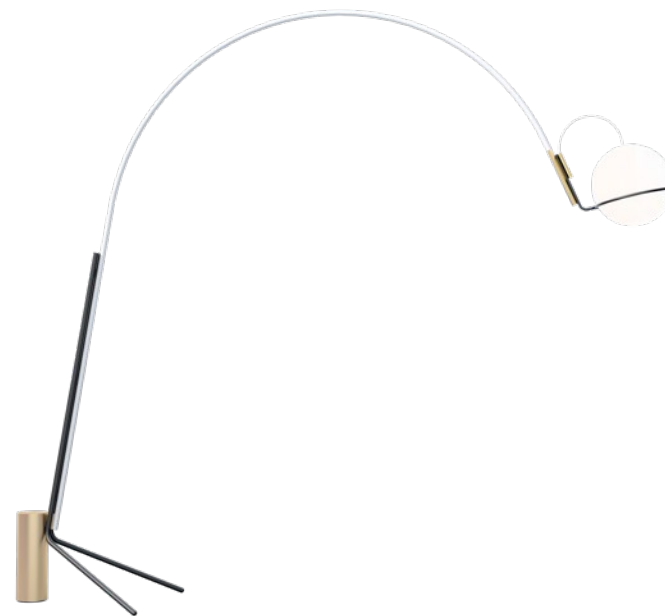
ph. OP-Fot

## ALICANTO\_ AVAILABLE FLOOR UNITS



BLACK/GOLD  
one size

code F443630160ONWL

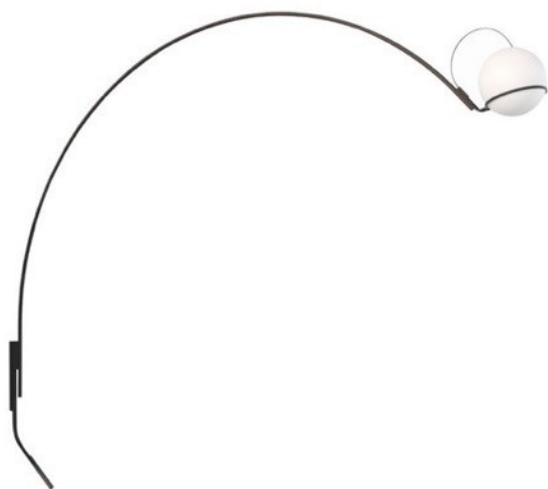


WHITE/GOLD  
one size

code F443630160OBWL

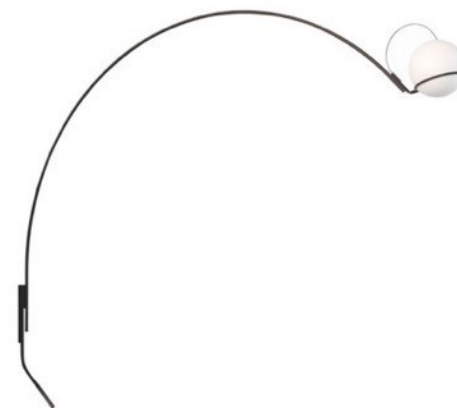


## ALICANTO\_ AVAILABLE WALL SCONCES



BLACK  
big size

code F443650160NEWL



BLACK  
medium size

code F443645160NEWL

FontanaArte  
Milano, 1932

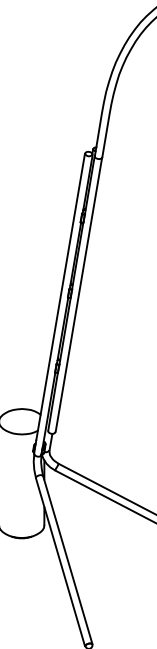
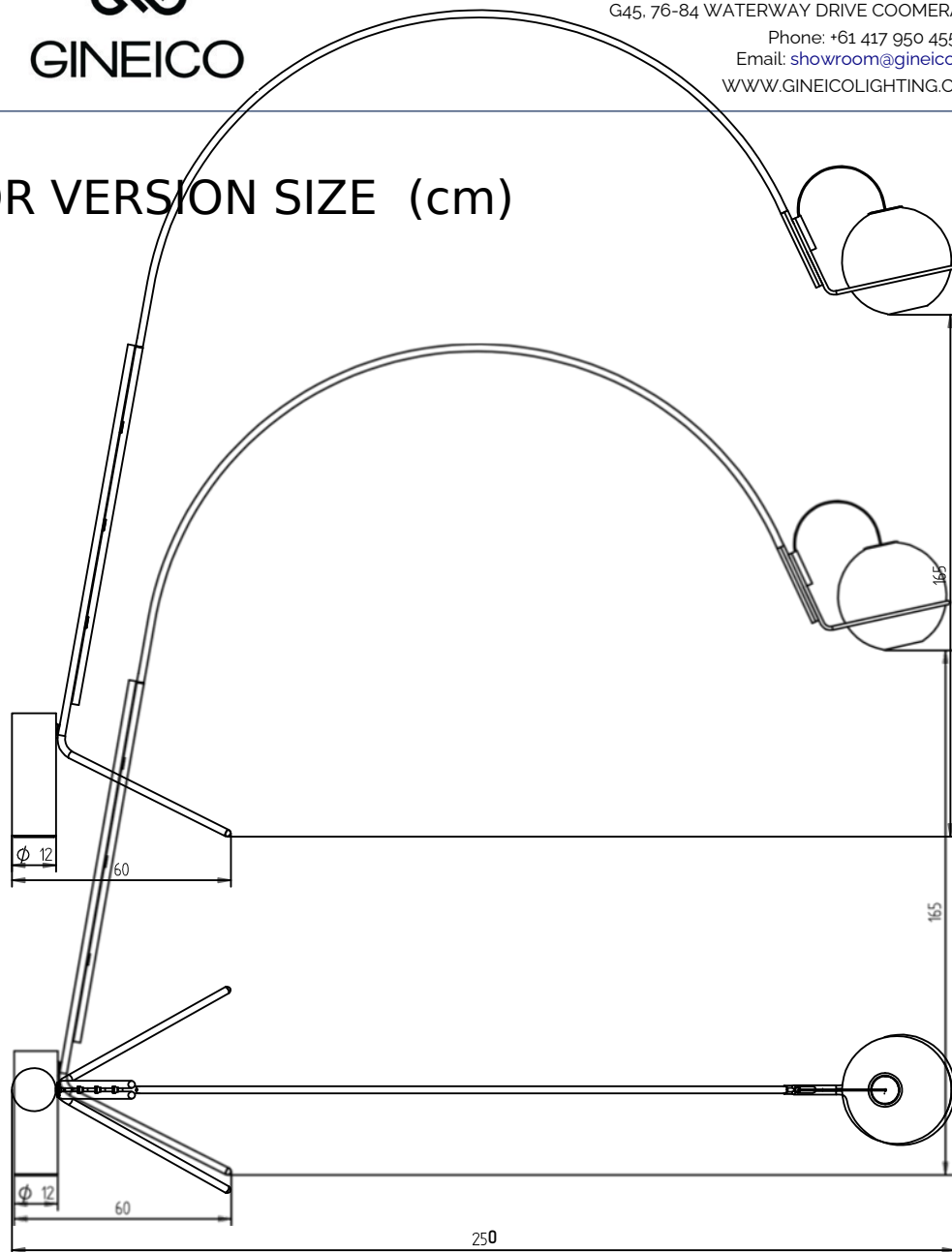
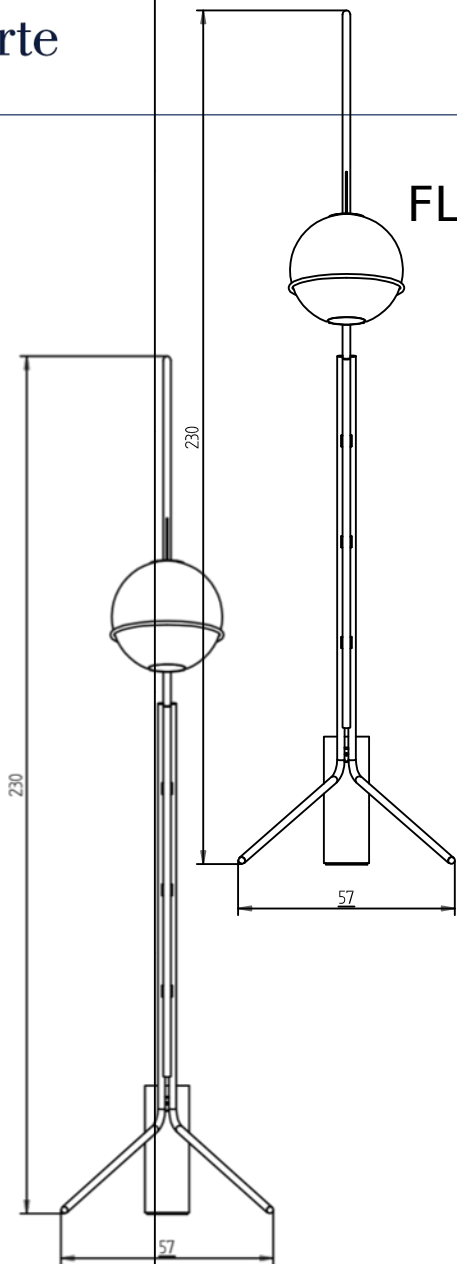
  
GINEICO

SYDNEY - MELBOURNE - GOLD COAST - PERTH - AUCKLAND  
G45, 76-84 WATERWAY DRIVE COOMERA, QLD, 4209, AUSTRALIA

Phone: +61 417 950 455  
Email: [showroom@gineico.com](mailto:showroom@gineico.com)  
[WWW.GINEICOLIGHTING.COM.AU](http://WWW.GINEICOLIGHTING.COM.AU)



FLOOR VERSION SIZE (cm)



n°	descrizione modello
	Il componente deve rispettare
	<b>Fonta</b>
	Descrizione/Descrizione/Descrizione
	SILUETTE ALICIA
	17W 3000K 24

## WALL SCONCES SIZE (cm)

