

SECRET L 6W

CATEGORY

UTILITY LIGHT



GENERAL FEATURES

| | |
|---------------------|-------------|
| IP Protection grade | IP66 |
| Installation on | FLOOR |
| Molding | Ø 199 mm |
| Recess | 0 mm |
| Mounting hole | Ø 148mm |
| Weight | 2150 gr |
| Fixing system | SCREWS |
| Orientable | No |
| Flexible | No |
| Switch | Yes |

MATERIALS

| | |
|----------|--------------------------|
| BEZEL | AISI 316 STAINLESS STEEL |
| BODY | PLASTIC |
| DIFFUSER | GLASS |


ELECTRICAL SPECIFICATIONS

TYPE OF POWER

Constant Voltage

| | | | |
|-------------------------------|-------------------------------|-------------|-----|
| Light source | 36 HIGH LUMINOSITY LED | | |
| Light Type | One Color | | |
| Power supply | 10-30 Vdc | | |
| Power consumption | 6 W | | |
| Absorption | 0,5A@12V / 0,25A@24V | | |
| Dimmable / Recommended dimmer | Yes / FASP094CA2A3A00 HDIM300 | Dimmer mode | PWM |

PHOTOMETRIC DATA

| Color Temperature | WARM WHITE (2900-3100 °K) | DAY LIGHT (3800-4100 °K) | COOL WHITE (5500-6000 °K) |
|-----------------------|---|-----------------------------|------------------------------|
| CRI | | | |
| Luminous flux | 410 lm | | |
| Luminous efficacy | 68 lm/W | | |
| Ø at 1 m | | | |
| Ø at 2 m | | | |
| Ø at 3 m | | | |
| ANGLE | | | |
| CERTIFICATIONS |  | | |



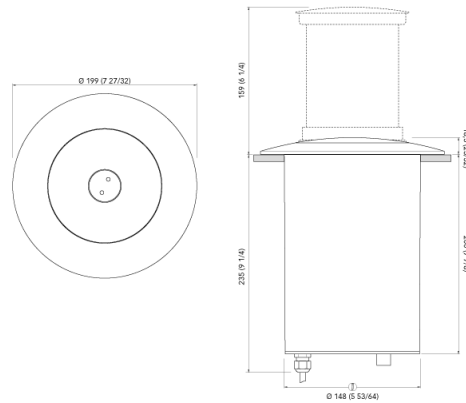
SPECIFICATION FOR THE CONNECTION OF INDIVIDUAL UNIT

POWER: 6 W

POWER SUPPLY: 10-30 Vdc

OPERATING VOLTAGE

Dimensions - mm (inches)



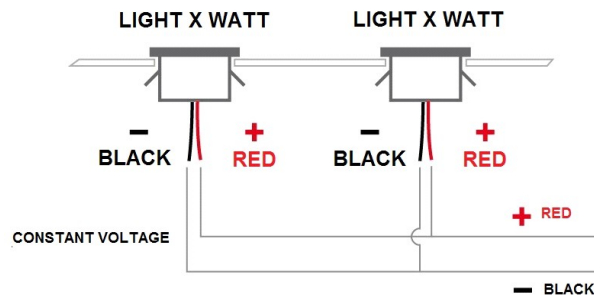
CONNECTION INFORMATION

WARNINGS

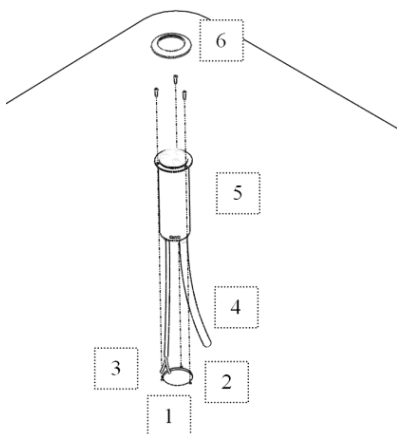
Use the unit in ultra-low voltage (SELV) .
Do not plug the unit directly into the wall socket (AC).

GENERAL INFORMATION TO CONNECT MORE THAN ONE DEVICE

This product can be connected in parallel



INSTRUCTIONS FOR ASSEMBLY



1. Drill hole or cut-out for the product in the sizes shown in the table at the point where you want to apply.
2. In the panel where to apply the light point there must be the wires for the power supply as indicated in the table.
3. Connect the wires: brown with the positive, the negative and the blue test the proper operation of the product.
4. In case of external mounting predict the connection of a plastic pipe for condensate discharge.
5. Insert the light body into the hole and secure it with screws.
6. Push fit the frame of the product.



SYDNEY - MELBOURNE - GOLD COAST - PERTH - AUCKLAND
 G45, 76-84 WATERWAY DRIVE COOMERA, QLD, 4209, AUSTRALIA

Phone: +61 417 950 455

Email: showroom@gineico.com

WWW.GINEICOLIGHTING.COM.AU