

VENICEM

italy

MONDRIAN LED CEILING design Massimo Tonetto

Ceiling lamp with direct and indirect light. Polished black nickel, polished gold, matte black nickel or light burnished brass structure.



VENICEM

italy

MONDRIAN LED CEILING

Function	Ceiling
Location	Interior
Light Emission	Direct and indirect light
Light Source	Strip LED 27W 3600lm 2700°K CRI80 - Dimmable 1-10V
Rated Voltage	110 - 120 V / 220 - 240 V
Frequency	50 - 60 Hz
Supply	Terminal block
Ballast	Dimmable ballast included

Certifications

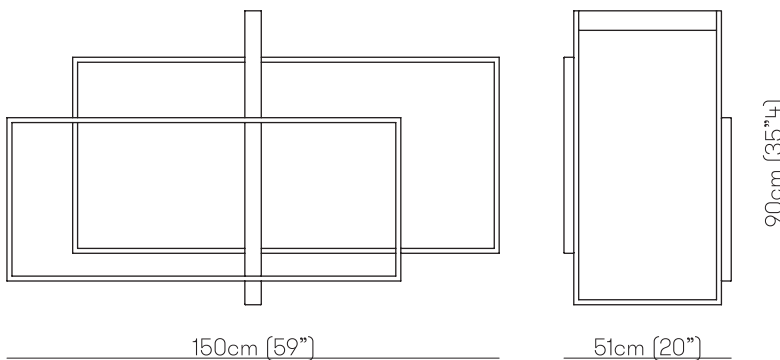
UL/WIRE/CE   IP20

Structure

- M04 Polished black nickel
- M05 Polished gold
- M07 Matte black nickel
- M11 Light burnished brass

Package	Dimensions	Net Weight	Gross Weight	Total vol.
	71×140×H.25cm (27"9×55"1×9"8)	13kg	18kg	0,26 m ³

Dimensions



Kit j-box

