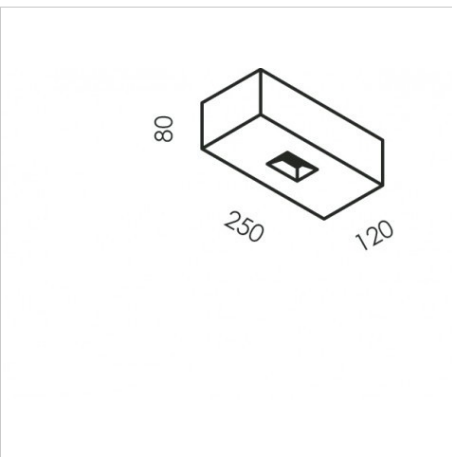
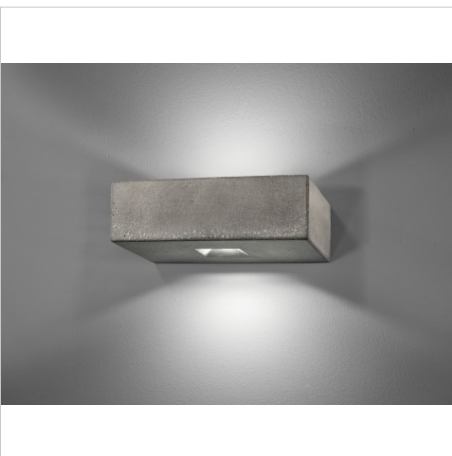
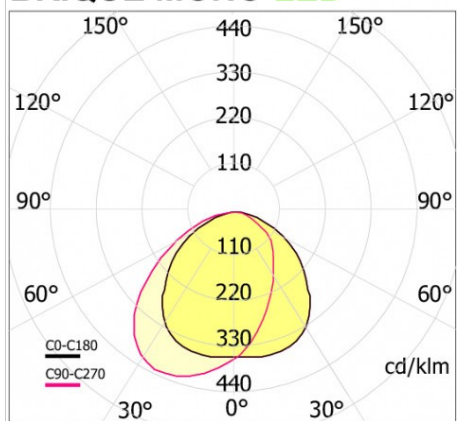


## ICEMENTI Brique O brique O

code IC810.830



### BRIQUE MONO LED



### PRODUCT DESCRIPTION

Wall surface mounted indoor direct/diffused emission lamp, complete of led 8W, color rendering index CRI >80. Body in CementoPiuma, lightweigh fiber concrete, with "smoothed concrete" hand-crafted finishing.

### PRODUCT FEATURES

Mounting method	wall surface mounted
Wattage	1x8W
Color temperature	3000K
Color rendering index	>80
Source luminous flux	1065 lm
Luminous flux	758 lm
Fitting efficiency	95 lm/W
Ballast	included
Protocol	On/Off
Energy efficiency class	A++
Weight	3 Kg
Dimension	120x250 H 80 mm

