

FREELINE

F44E0102

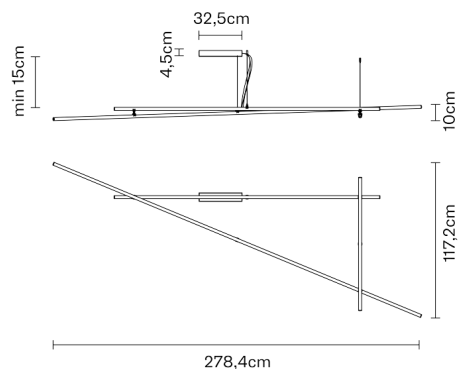
Flynn Talbot



Description

Ceiling lamp with black anodized aluminium structure.

Dimensions



Voltage

220-240V

Dimmable LED

PUSH 1..10V

Material

Aluminium

Light source and alternative bulbs

LED 1x86.4W-
3000K
Cri 90+

Available structure colours

- Black
- Other colours available

Included accessories

LED
Dimmable electronic driver

In the same family



Pendant



System

Weight Lamp

Net: 4 kg

Packaging

Gross weight: 0 kg
Volume: 0 m³
Number of boxes: 4

Specs

IP40



SYDNEY - MELBOURNE - GOLD COAST - PERTH - AUCKLAND
G45, 76-84 WATERWAY DRIVE COOMERA, QLD, 4209, AUSTRALIA

Phone: +61 417 950 455

Email: showroom@gineico.com

WWW.GINEICOLIGHTING.COM.AU