

INZETA



PROIETTORE ORIENTABILE A SCOMPARSA.

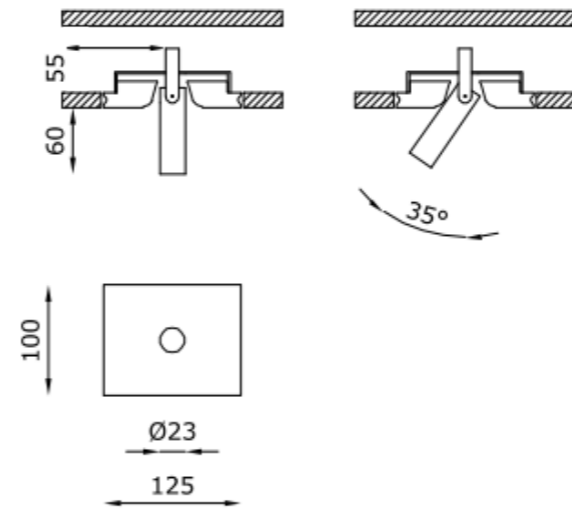
Inzeta è un apparecchio a incasso a scomparsa totale per interni, con proiettore in alluminio montato semi-recesso su una scocca in AirCora®, con giunto meccanico invisibile.

Inclinabile di 35° e orientabile sull'asse verticale a 360°, Inzeta è caratterizzato dalla qualità della sua luce, con elevata potenza e CRI 90. Un apparecchio miniaturizzato che coniuga le caratteristiche peculiari della scomparsa totale del corpo in AirCora® con quelle di un proiettore miniaturizzato.

ADJUSTABLE RECESSED PROJECTOR.

Inzeta is a totally recessed luminaire for indoor use, with metal projector half-recessed inside a body made of AirCora®, with no visible mechanical joints.

Inclinabile by 35° and adjustable on the vertical axis at 360°, Inzeta is characterised by the quality of its light, with high power and CRI 90. A miniaturised luminaire which blends the special total-recess characteristics of the AirCora® body with those of miniaturized projector.



CODE COMPOSITION

184_AC 4 R _E_ WD	
<i>light colour</i>	
27	2700K
30	3000K
40	4000K
<i>lens</i>	
22	22°
50	50°
<i>finishing</i>	
6	black
8	white

184_AC 4 R _E_ ND	
<i>light colour</i>	
27	2700K
30	3000K
40	4000K
<i>lens</i>	
22	22°
50	50°
<i>finishing</i>	
7	black
9	white

example of code composition 1846.AC 4 R 22 E 30 WD

TECHNICAL FEATURES

Code	1846.AC XX / 1848.AC XX	1847.AC XX / 1849.AC XX
Type	Tilttable downlight ± 360° / ± 35° 	Tilttable downlight ± 360° / ± 35°
Material	AC: AirCoral®	AC: AirCoral®
Absorption capacity*	1.39 m ²	1.39 m ²
Finishing	Black White	Black White
Weight	0.8 Kg	0.8 Kg
Mounting	Wall and ceiling recessed	Wall and ceiling recessed
IP rating	IP40	IP40
Insulation class	III	III
Control gear	Remote constant current electronic driver (not included)	Remote constant current electronic driver and inverter (included)
Cut out for plasterboard	135 x 110 mm	135 x 110 mm
Lamp type	LED 500 mA ⚡ Vf: 11.5 VDC	LED 500 mA ⚡
Lamp wattage	1 x 6W	1 x 6W
Luminous efficacy	600 lm - 3000K	600 lm - 3000K
Light distribution	Beam 22° Beam 50° (on request)	Beam 22° Beam 50° (on request)
Fitting	-	-
Light colour	White 3000K White 2700K 4000K (on request)	White 3000K White 2700K 4000K (on request)
Light hole	Ø 23 mm	Ø 23 mm
Voltage connection	By driver (optional)	220-240V · 50/60Hz
CRI	>90	>90
Emergency	-	1 hour
Energy efficiency class	A**	A**
Note	On request available dimmable PUSH or DALI.	On request available dimmable PUSH or DALI.

OPTIONAL ACCESSORIES

product code	optional code	description	info
1846.AC XX / 1848.AC XX	H8500.E	Constant current electronic driver. Remote installation	Suitable for n°3 code 1846.AC XX / 1848.AC XX - 500 mA



SUPERFUTUREDESIGN*