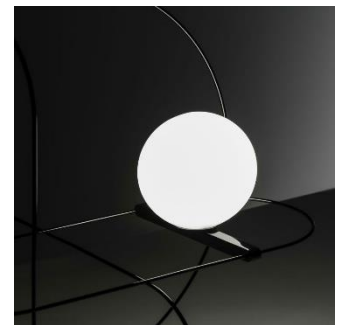
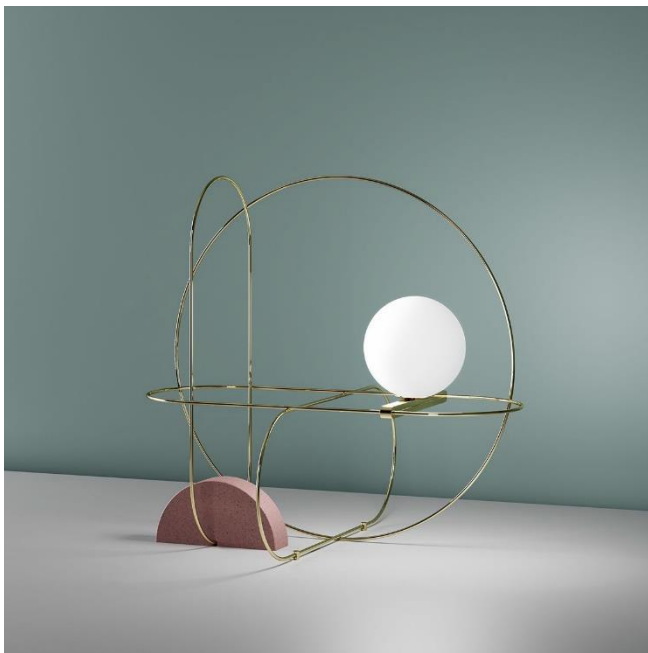


SETAREH

Francesco Librizzi, 2017



This is the name of the family of lighting fixtures that Francesco Librizzi, a young Sicilian architect working in Milan, has designed for the first time for FontanaArte. Setareh was born of the idea of giving form to light. The lamp is composed of a sphere in hand-blown white satin glass, magically suspended within a thin metal structure. The play of circular masses and trajectories generates a balanced design of gravitational dynamics. The light from the sphere is diffused into the surrounding space, illuminating the frame. The reflections of the metal render the luminous field visible, space influenced by light, by its aura. The result is a collection of lighting elements, available in tabletop and suspension versions, of extraordinary poetic grace. The table version is available in two models while the suspension version comes in several variants: bare, with only the frame and glass sphere (also available with three spheres), with a diffuser in curved white glass (diameter 45, 65, 85 cm), or with a painted metal disc in white or black (diameter 45, 65, 85, 100 cm).



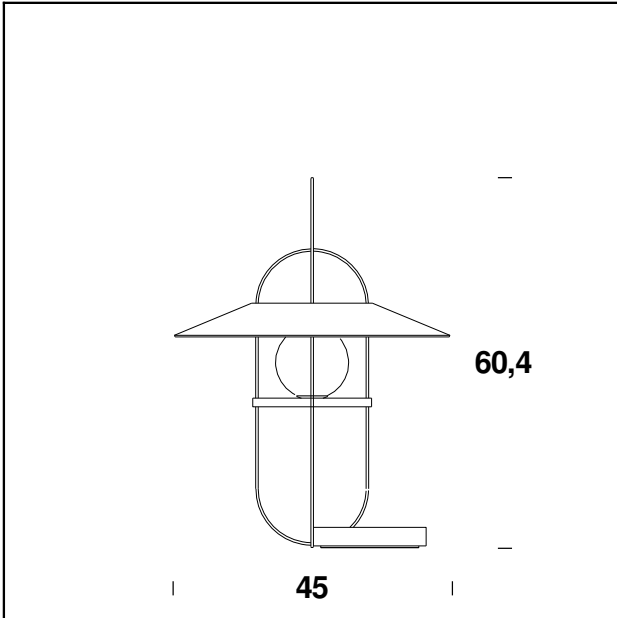
RELATED PRODUCTS



SETAREH

Suspension Lamp

TECHNICAL SHEET





MODEL NAME: Setareh

CODE: 4384.. + V4381/0..

DIMENSIONS: \varnothing 45 x 60,4 cm

MATERIALS: Glass, metal

COLORS

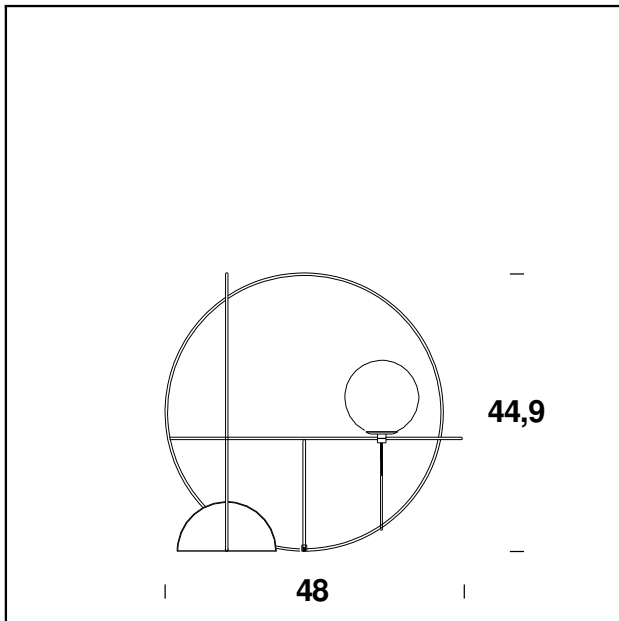
-  Chrome/Black
-  Chrome/White
-  Gold/Black
-  Gold/White

BULB: 6W Led (2700K, CRI>80, Lumen 830)

DIMMER: Dimmer

CERTIFICATIONS AND SYMBOLS:

 IP20 



MODEL NAME: Setareh

CODE: 4401..

DIMENSIONS: \varnothing 48 x 44,9 x 44,9 cm

MATERIALS: Glass, metal

COLORS

● Chrome

● Gold

BULB: 6W Led (2700K, CRI>80, Lumen 830)

DIMMER: Dimmer

CERTIFICATIONS AND SYMBOLS:



Subject to technical modifications and modifications to content