



ORIS IP65

code 5371.CW

Recessed flangeless luminaire.

Ceiling mounting. Installation into plasterboard or brick.
(see the special instructions for brick).

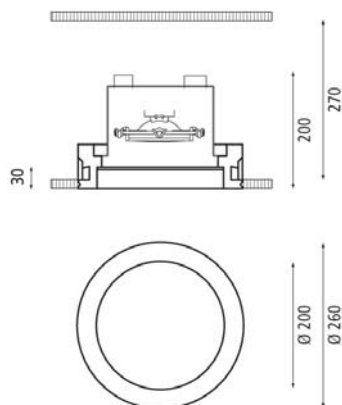
Body in Coral WaterOut®.

Supplied with control gear.

Delivered complete with extra white satin glass.

Frosted glass recessed 30 mm into the ceiling.

Due to a structural alteration, Coral® becomes Coral WaterOut®. A new material is born which blocks the penetration of water to its interior. The waterproof property remains unchanged within time as it is not a superficial finishing but an intrinsic characteristic of Coral WaterOut®. Devoid of maintenance, Coral WaterOut® adds impermeability to the typical characteristics of Coral® like durability, resistance and beauty. A new material suitable for completely disappearing recessed lighting IP65/IP44.



TECHNICAL FEATURES

Type	Tiltable downlight +/- 30°
Material	CW: Coral WaterOut® I waterproof
Weight	3.6 Kg
Mounting	Ceiling recessed
IP rating	IP65
Control gear	Dimmable electronic transformer
Cut out for plasterboard	Ø270 mm
Lamp type	QR 111
Lamp wattage	100W max
Luminous efficacy	-
Light distribution	-
Fitting	G53
Light Colour	-
Light Hole	Ø200 mm
Voltage connection	220-240V / 12V · 50-60Hz
CRI	-
Emergency	-
Energy efficiency class	A

OPTIONAL

00010KIT	kit LED dimmable I bulb 10W - 12V
----------	-----------------------------------

FOR FURTHER INFORMATION PLEASE CONSULT THE GENERAL CATALOGUE BUZZI & BUZZI

Buzzi & Buzzi reserves itself the faculty to change or to modify, without advance notice, the dimensions and the technical characteristics of the products indicated in this catalogue, due to operative necessities to improve the functionality or updating with law regulations.



ORIS IP65

code 5378.CW

Recessed flangeless luminaire.

Ceiling mounting. Installation into plasterboard or brick.
(see the special instructions for brick).

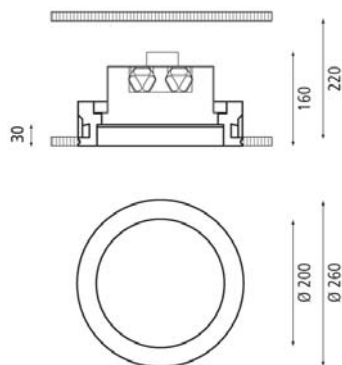
Body in Coral WaterOut®.

Supplied with control gear.

Delivered complete with extra white satin glass.

Frosted glass recessed 30 mm into the ceiling.

Due to a structural alteration, Coral® becomes Coral WaterOut®. A new material is born which blocks the penetration of water to its interior. The waterproof property remains unchanged within time as it is not a superficial finishing but an intrinsic characteristic of Coral WaterOut®. Devoid of maintenance, Coral WaterOut® adds impermeability to the typical characteristics of Coral® like durability, resistance and beauty. A new material suitable for completely disappearing recessed lighting IP65/IP44.



TECHNICAL FEATURES

Type	Downlight 90°
Material	CW: Coral WaterOut® I waterproof
Weight	3.3 Kg
Mounting	Ceiling recessed
IP rating	IP65
Control gear	-
Cut out for plasterboard	Ø270 mm
Lamp type	QT-DE 12
Lamp wattage	150W max
Luminous efficacy	-
Light distribution	-
Fitting	R7s
Light Colour	-
Light Hole	Ø200 mm
Voltage connection	220-240V · 50-60Hz
CRI	-
Emergency	-
Energy efficiency class	A+



FOR FURTHER INFORMATION PLEASE CONSULT THE GENERAL CATALOGUE BUZZI & BUZZI

Buzzi & Buzzi reserves itself the faculty to change or to modify, without advance notice, the dimensions and the technical characteristics of the products indicated in this catalogue, due to operative necessities to improve the functionality or updating with law regulations.



ORIS IP65

code 5375.CW

Recessed flangeless luminaire.

Ceiling mounting. Installation into plasterboard or brick.
(see the special instructions for brick).

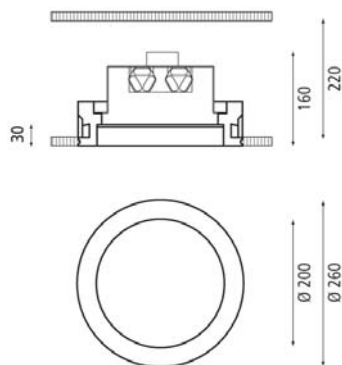
Body in Coral WaterOut®.

Supplied with control gear.

Delivered complete with extra white satin glass.

Frosted glass recessed 30 mm into the ceiling.

Due to a structural alteration, Coral® becomes Coral WaterOut®. A new material is born which blocks the penetration of water to its interior. The waterproof property remains unchanged within time as it is not a superficial finishing but an intrinsic characteristic of Coral WaterOut®. Devoid of maintenance, Coral WaterOut® adds impermeability to the typical characteristics of Coral® like durability, resistance and beauty. A new material suitable for completely disappearing recessed lighting IP65/IP44.



TECHNICAL FEATURES

Type	Downlight 90°
Material	CW: Coral WaterOut® I waterproof
Weight	3.4 Kg
Mounting	Ceiling recessed
IP rating	IP65
Control gear	Electronic ballast
Cut out for plasterboard	Ø270 mm
Lamp type	TC-TEL
Lamp wattage	2x26W
Luminous efficacy	-
Light distribution	-
Fitting	Gx24q-3
Light Colour	-
Light Hole	Ø200 mm
Voltage connection	220-240V · 50-60Hz
CRI	-
Emergency	-
Energy efficiency class	A



FOR FURTHER INFORMATION PLEASE CONSULT THE GENERAL CATALOGUE BUZZI & BUZZI

Buzzi & Buzzi reserves itself the faculty to change or to modify, without advance notice, the dimensions and the technical characteristics of the products indicated in this catalogue, due to operative necessities to improve the functionality or updating with law regulations.



ORIS IP65

code 5376.CW

Recessed flangeless luminaire.

Ceiling mounting. Installation into plasterboard or brick.
(see the special instructions for brick).

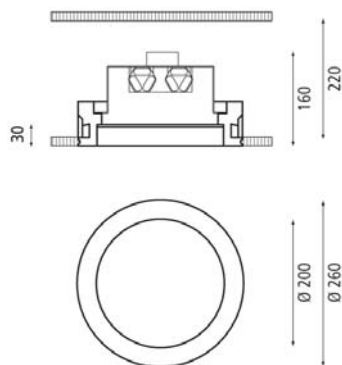
Body in Coral WaterOut®.

Supplied with control gear.

Delivered complete with extra white satin glass.

Frosted glass recessed 30 mm into the ceiling.

Due to a structural alteration, Coral® becomes Coral WaterOut®. A new material is born which blocks the penetration of water to its interior. The waterproof property remains unchanged within time as it is not a superficial finishing but an intrinsic characteristic of Coral WaterOut®. Devoid of maintenance, Coral WaterOut® adds impermeability to the typical characteristics of Coral® like durability, resistance and beauty. A new material suitable for completely disappearing recessed lighting IP65/IP44.



TECHNICAL FEATURES

Type	Downlight 90°
Material	CW: Coral WaterOut® I waterproof
Weight	3.6 Kg
Mounting	Ceiling recessed
IP rating	IP65
Control gear	Electronic ballast
Cut out for plasterboard	Ø270 mm
Lamp type	TC-TEL
Lamp wattage	2x26/32W
Luminous efficacy	-
Light distribution	-
Fitting	Gx24q-3
Light Colour	-
Light Hole	Ø200 mm
Voltage connection	220-240V · 50-60Hz
CRI	-
Emergency	-
Energy efficiency class	A

OPTIONAL

BR5376LT Brick box



FOR FURTHER INFORMATION PLEASE CONSULT THE GENERAL CATALOGUE BUZZI & BUZZI

Buzzi & Buzzi reserves itself the faculty to change or to modify, without advance notice, the dimensions and the technical characteristics of the products indicated in this catalogue, due to operative necessities to improve the functionality or updating with law regulations.



ORIS IP65

code 5385.CW

Recessed flangeless luminaire.

Ceiling mounting. Installation into plasterboard or brick.
(see the special instructions for brick).

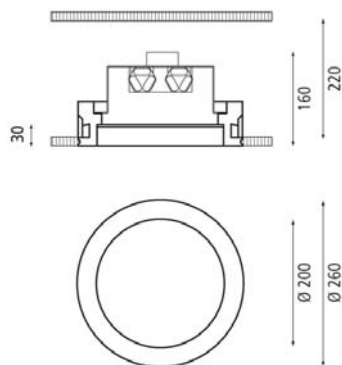
Body in Coral WaterOut®.

Supplied with control gear.

Delivered complete with extra white satin glass.

Frosted glass recessed 30 mm into the ceiling.

Due to a structural alteration, Coral® becomes Coral WaterOut®. A new material is born which blocks the penetration of water to its interior. The waterproof property remains unchanged within time as it is not a superficial finishing but an intrinsic characteristic of Coral WaterOut®. Devoid of maintenance, Coral WaterOut® adds impermeability to the typical characteristics of Coral® like durability, resistance and beauty. A new material suitable for completely disappearing recessed lighting IP65/IP44.



TECHNICAL FEATURES

Type	Downlight 90°
Material	CW: Coral WaterOut® I waterproof
Weight	3.8 Kg
Mounting	Ceiling recessed
IP rating	IP65
Control gear	Electronic ballast
Cut out for plasterboard	Ø270 mm
Lamp type	TC-TEL
Lamp wattage	2x26W
Luminous efficacy	-
Light distribution	-
Fitting	Gx24q-3
Light Colour	-
Light Hole	Ø200 mm
Voltage connection	220-240V · 50-60Hz
CRI	-
Emergency	1 hour
Energy efficiency class	A



FOR FURTHER INFORMATION PLEASE CONSULT THE GENERAL CATALOGUE BUZZI & BUZZI

Buzzi & Buzzi reserves itself the faculty to change or to modify, without advance notice, the dimensions and the technical characteristics of the products indicated in this catalogue, due to operative necessities to improve the functionality or updating with law regulations.



ORIS IP65

code 5386.CW

Recessed flangeless luminaire.

Ceiling mounting. Installation into plasterboard or brick.
(see the special instructions for brick).

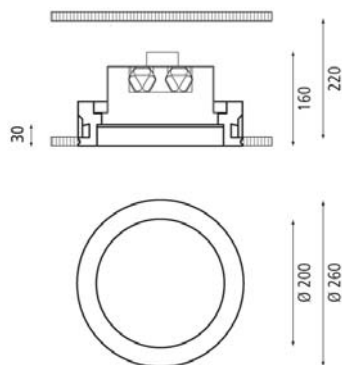
Body in Coral WaterOut®.

Supplied with control gear.

Delivered complete with extra white satin glass.

Frosted glass recessed 30 mm into the ceiling.

Due to a structural alteration, Coral® becomes Coral WaterOut®. A new material is born which blocks the penetration of water to its interior. The waterproof property remains unchanged within time as it is not a superficial finishing but an intrinsic characteristic of Coral WaterOut®. Devoid of maintenance, Coral WaterOut® adds impermeability to the typical characteristics of Coral® like durability, resistance and beauty. A new material suitable for completely disappearing recessed lighting IP65/IP44.



TECHNICAL FEATURES

Type	Downlight 90°
Material	CW: Coral WaterOut® I waterproof
Weight	3.8 Kg
Mounting	Ceiling recessed
IP rating	IP65
Control gear	Electronic ballast
Cut out for plasterboard	Ø270 mm
Lamp type	TC-TEL
Lamp wattage	2x32W
Luminous efficacy	-
Light distribution	-
Fitting	Gx24q-3
Light Colour	-
Light Hole	Ø200 mm
Voltage connection	220-240V · 50-60Hz
CRI	-
Emergency	1 hour
Energy efficiency class	A



FOR FURTHER INFORMATION PLEASE CONSULT THE GENERAL CATALOGUE BUZZI & BUZZI

Buzzi & Buzzi reserves itself the faculty to change or to modify, without advance notice, the dimensions and the technical characteristics of the products indicated in this catalogue, due to operative necessities to improve the functionality or updating with law regulations.



ORIS IP65

code 5395.P.CW

Recessed flangeless luminaire.

Ceiling mounting. Installation into plasterboard or brick.
(see the special instructions for brick).

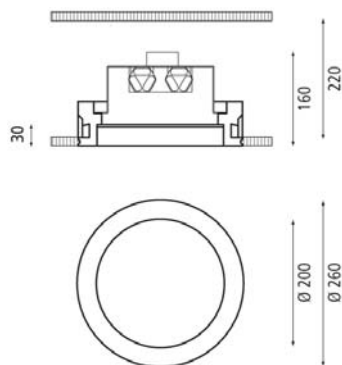
Body in Coral WaterOut®.

Supplied with control gear.

Delivered complete with extra white satin glass.

Frosted glass recessed 30 mm into the ceiling.

Due to a structural alteration, Coral® becomes Coral WaterOut®. A new material is born which blocks the penetration of water to its interior. The waterproof property remains unchanged within time as it is not a superficial finishing but an intrinsic characteristic of Coral WaterOut®. Devoid of maintenance, Coral WaterOut® adds impermeability to the typical characteristics of Coral® like durability, resistance and beauty. A new material suitable for completely disappearing recessed lighting IP65/IP44.



TECHNICAL FEATURES

Type	Downlight 90°
Material	CW: Coral WaterOut® I waterproof
Weight	3.6 Kg
Mounting	Ceiling recessed
IP rating	IP65
Control gear	Dimmable electronic ballast
Dimming method	Standard: dimmable switch dim. / push (on request: dimmable 1-10V o DALI)
Cut out for plasterboard	Ø270 mm
Lamp type	TC-TEL
Lamp wattage	2x32W
Luminous efficacy	-
Light distribution	-
Fitting	Gx24q-3
Light Colour	-
Light Hole	Ø200 mm
Voltage connection	220-240V · 50-60Hz
CRI	-
Emergency	-
Energy efficiency class	A



FOR FURTHER INFORMATION PLEASE CONSULT THE GENERAL CATALOGUE BUZZI & BUZZI

Buzzi & Buzzi reserves itself the faculty to change or to modify, without advance notice, the dimensions and the technical characteristics of the products indicated in this catalogue, due to operative necessities to improve the functionality or updating with law regulations.



ORIS IP65

code 5397.P.CW

Recessed flangeless luminaire.

Ceiling mounting. Installation into plasterboard or brick.
(see the special instructions for brick).

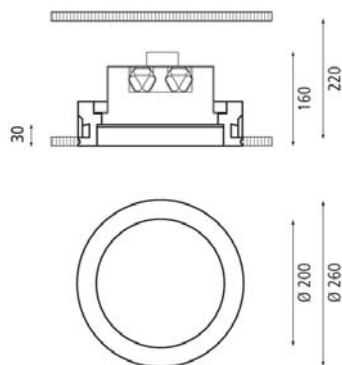
Body in Coral WaterOut®.

Supplied with control gear.

Delivered complete with extra white satin glass.

Frosted glass recessed 30 mm into the ceiling.

Due to a structural alteration, Coral® becomes Coral WaterOut®. A new material is born which blocks the penetration of water to its interior. The waterproof property remains unchanged within time as it is not a superficial finishing but an intrinsic characteristic of Coral WaterOut®. Devoid of maintenance, Coral WaterOut® adds impermeability to the typical characteristics of Coral® like durability, resistance and beauty. A new material suitable for completely disappearing recessed lighting IP65/IP44.



TECHNICAL FEATURES

Type	Downlight 90°
Material	CW: Coral WaterOut® I waterproof
Weight	3.6 Kg
Mounting	Ceiling recessed
IP rating	IP65
Control gear	Dimmable electronic ballast
Dimming method	Standard: dimmable switch dim. / push (on request: dimmable 1-10V o DALI)
Cut out for plasterboard	Ø270 mm
Lamp type	TC-TEL
Lamp wattage	2x26W
Luminous efficacy	-
Light distribution	-
Fitting	Gx24q-3
Light Colour	-
Light Hole	Ø200 mm
Voltage connection	220-240V · 50-60Hz
CRI	-
Emergency	-
Energy efficiency class	A

OPTIONAL

BR5397PLT Brick box



FOR FURTHER INFORMATION PLEASE CONSULT THE GENERAL CATALOGUE BUZZI & BUZZI

Buzzi & Buzzi reserves itself the faculty to change or to modify, without advance notice, the dimensions and the technical characteristics of the products indicated in this catalogue, due to operative necessities to improve the functionality or updating with law regulations.



ORIS IP65

code 5381.CW

Recessed flangeless luminaire.

Ceiling mounting. Installation into plasterboard or brick.
(see the special instructions for brick).

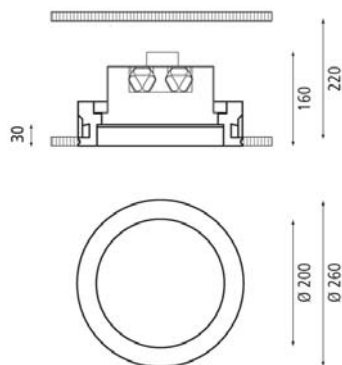
Body in Coral WaterOut®.

Supplied with control gear.

Delivered complete with extra white satin glass.

Frosted glass recessed 30 mm into the ceiling.

Due to a structural alteration, Coral® becomes Coral WaterOut®. A new material is born which blocks the penetration of water to its interior. The waterproof property remains unchanged within time as it is not a superficial finishing but an intrinsic characteristic of Coral WaterOut®. Devoid of maintenance, Coral WaterOut® adds impermeability to the typical characteristics of Coral® like durability, resistance and beauty. A new material suitable for completely disappearing recessed lighting IP65/IP44.



TECHNICAL FEATURES

Type	Downlight 90°
Material	CW: Coral WaterOut® I waterproof
Weight	4 Kg
Mounting	Ceiling recessed
IP rating	IP65
Control gear	Constant current electronic driver
Cut out for plasterboard	Ø270 mm
Lamp type	LED 1050 mA
Lamp wattage	1x40W
Luminous efficacy	107 lm/W - 3000K
Light distribution	Wide beam 40°
Fitting	-
Light Colour	White 3000K
Light Colour	White 2700K (on request)
Light Hole	Ø200 mm
Voltage connection	220-240V · 50-60Hz
CRI	>80 (>90 on request)
Emergency	-
Energy efficiency class	A++



FOR FURTHER INFORMATION PLEASE CONSULT THE GENERAL CATALOGUE BUZZI & BUZZI

Buzzi & Buzzi reserves itself the faculty to change or to modify, without advance notice, the dimensions and the technical characteristics of the products indicated in this catalogue, due to operative necessities to improve the functionality or updating with law regulations.